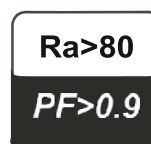


Specification of Wall Pack with glass cover

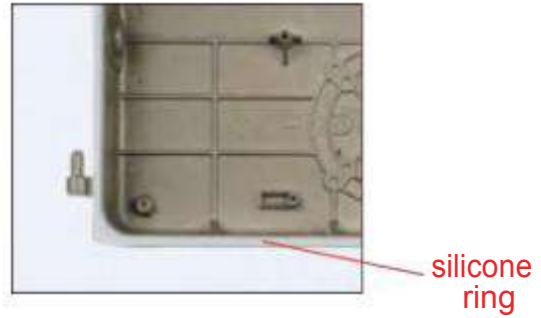


A variety of drivers are available

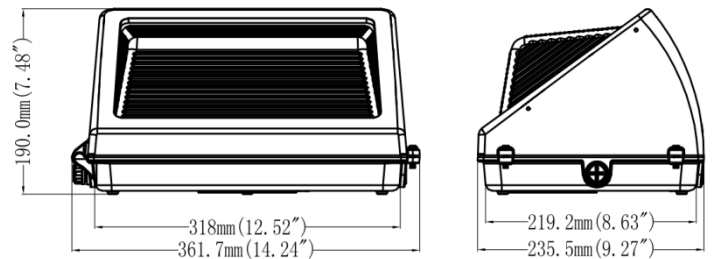
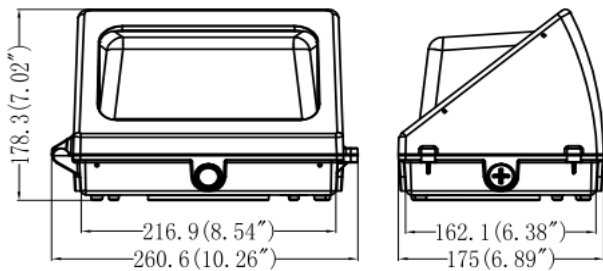
Using an isolated, 0-10V dimmable.

Protection level: Wet Location

The wall pack is sealed by silicone ring that can avoid dust completely and be waterproof, also the internal level ensures that the installation is horizontal.



Product Dimension



1、 Input Voltage: AC120-277V
Model: TS-WP11GS-28W-H-XXK
TS-WP11GS-40W-H-XXK
TS-WP11GS-60W-H-XXK

2、 Input Voltage: AC120-277V
Model: TS-WP11GM-28W-H-XXK
TS-WP11GM-40W-H-XXK
TS-WP11GM-60W-H-XXK
TS-WP11GM-80W-H-XXK
TS-WP11GM-100W-H-XXK
TS-WP11GM-120W-H-XXK

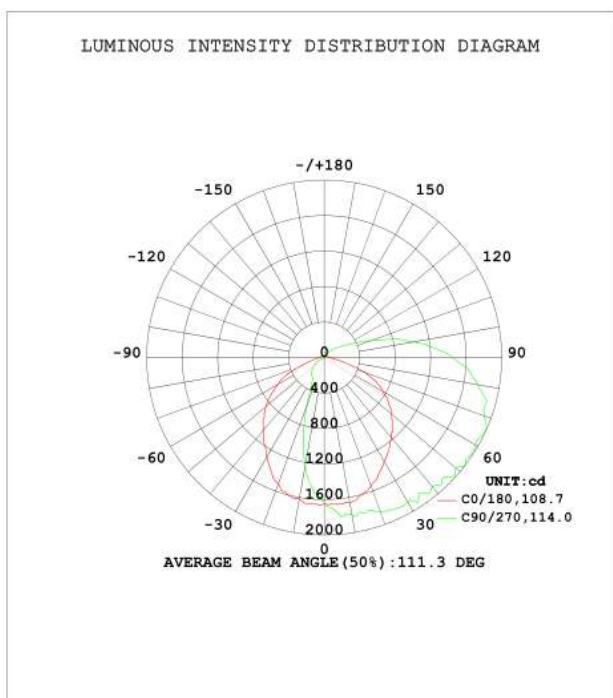
XXK represents the CCT:4000K,5000K,5700K,6500K.

Lighting Parameters

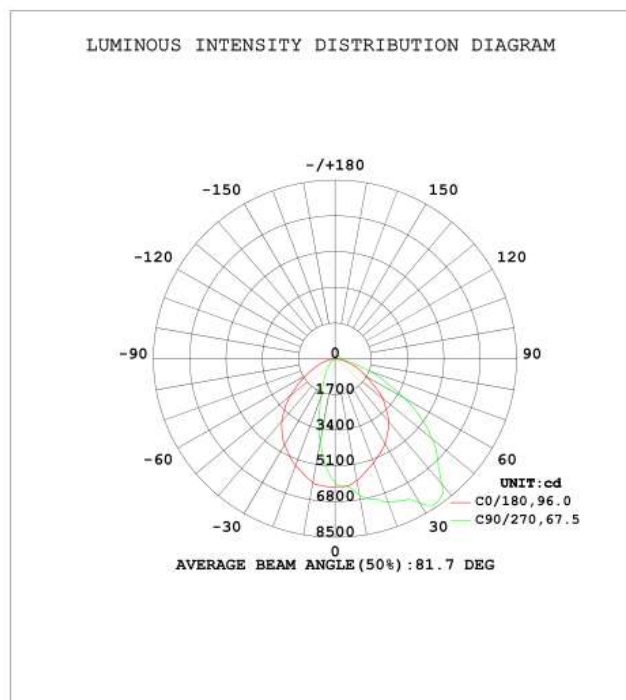
Power	28W	40W	60W	28W	40W	60W	80W	100W	120W
Rate Current	0.257A	0.367A	0.55A	0.257A	0.367A	0.55A	0.734A	0.917A	1.1A
Working Voltage	AC120-277V								
Beam Angle	70*110°			70*110°					
Color Temperature	4000K,5000K,5700K,6500K								
lamp's Luminous Efficiency	>135lm/W					>125lm/W			
Color Rendering Index	Ra>80								
Operating Temperature	-40°F ~ +104°F								
Storage Temperature	-40°F ~ +158°F								
Environment Location	Wet Location								
Life-span	≥50000H								
Materials	ADC12								
The color of the lamp shell	Brown								
Mounting	Bracket fixed								

Optical Properties

WP11GS

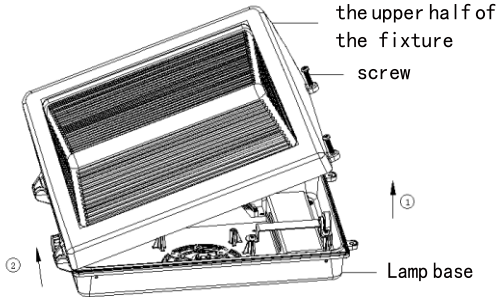


WP11GM

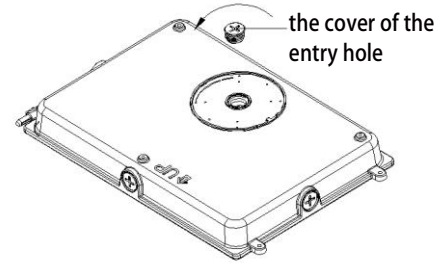


Installation Instruction

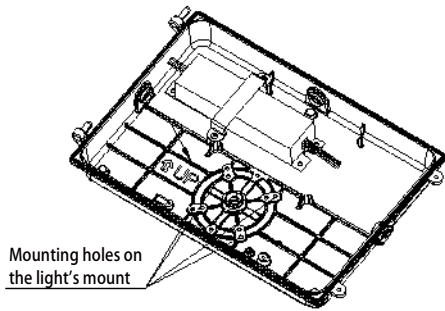
1. Use a screwdriver to unscrew the lamp screws and remove the upper half of the fixture.



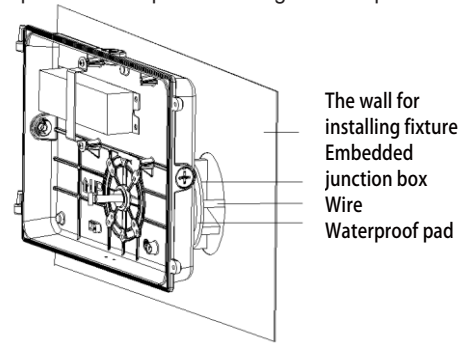
2. Unscrew the cover of the entry hole on the lamp base and remove the cover.



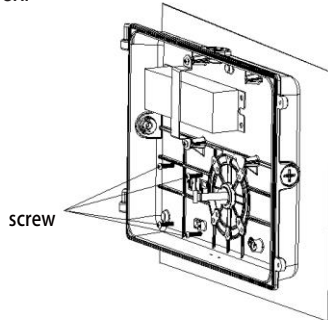
3. According to the embedded terminal box, punch the corresponding mounting hole on the light's mount.



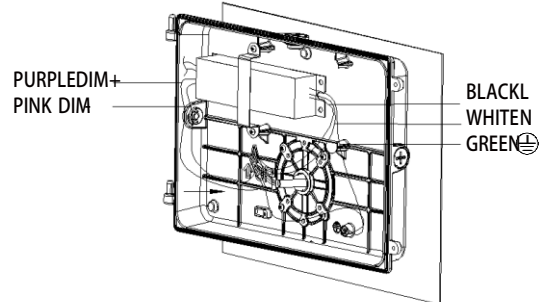
4. Put the input line in the embedded box passes through the waterproof pad and then passed through the lamp base.



5. Use screw to lock the lamp base on the embedded junction box.

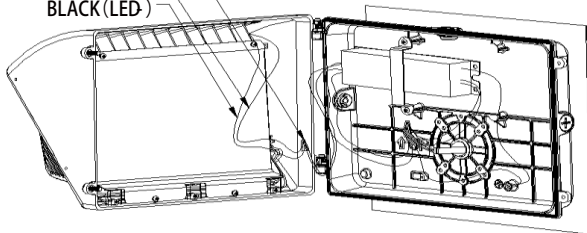


6. Connect the input wire and the dimming wire of the light, then put the connected wires into the embedded terminal box.

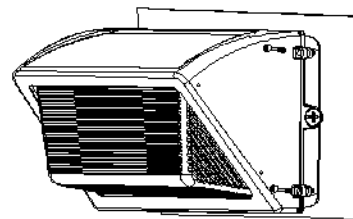


7. Connect the output wires of driver with the wires of PCB board.

Connector
RED (LED+)
BLACK (LED-)



8. Use screws to lock the fixture. Fill the silicone sealant to the gap between fixture and wall-surface, where the fixture attached. (Silicone sealant must be prepared by yourself). Installation completed.



Applications



Packing /weight

Model	Outer box (L*W*H)	Qty/Ctn (pcs)	N.W/Ctn (lbs/kg)	G.W/Ctn (lbs/kg)	Remarks
TS-WP11GS-28W-X-XXK	11.6" *9.45" * 9.45" 295*240*240mm	1	6.61/3.0	7.72/3.5	0.15M cable
TS-WP11GS-40W-X-XXK			6.61/3.0	7.72/3.5	
TS-WP11GS-60W-X-XXK			6.61/3.0	7.72/3.5	
TS-WP11GM-28W-X-XXK	15.55" *11.22" * 9.45" 395*285*240mm	1	7.72/3.5	9.04/4.1	
TS-WP11GM-40W-X-XXK			7.72/3.5	9.04/4.1	
TS-WP11GM-60W-X-XXK			8.16/3.7	9.48/4.3	
TS-WP11GM-80W-X-XXK			8.16/3.7	9.48/4.3	
TS-WP11GM-100W-X-XXK			8.82/4.0	10.14/4.6	
TS-WP11GM-120W-X-XX			8.82/4.0	10.14/4.6	

Safety Information

- 1、 Using the standard working voltage: AC120~277V, 50/60Hz, do not exceed.
- 2、 Be sure the power supply is turned off before installation.
- 3、 Switch off power of the mains supply or the connection lead respectively before doing any works.
- 4、 Please note waterproof, dustproof, electricity prevention and shockproof for the external power wires.
- 5、 Directly fix bolts on the installation stem through the hole on the mounting bracket.
- 6、 Be sure the connection between the wires is in good condition when install the lamps, beware of leakage.
- 7、 Please read the specification carefully before installation.
- 8、 The complete installation must be handled by an electrical expert