



SP09 Mini

SP09 Mini is an all-in-one low & medium-power sports field light, applicable to professional sports, civil training grounds, outdoor entertainment venues, plazas, parking lots, airports, docks, and other high-mast lighting places.





500W/400W/300W

LED Sports Field Lighting

Super cost-effective stadium lights

- 1 High-quality lighting effect, controlling glare while ensuring a total light flux of up to 80,000lm.
- 2 Integrated design to ensure the IP66 waterproof performance.
- 3 Built-in a junction box that can be convenient and fast wiring.
- 4 The Visor Helps with accurate light control and dramatically reduces glare and spill.
- 5 Built-in 10KV Surge Protector.

3-IN-1 POWER ADJUSTABLE



Wattage Tunable:
S: 300W-400W-500W

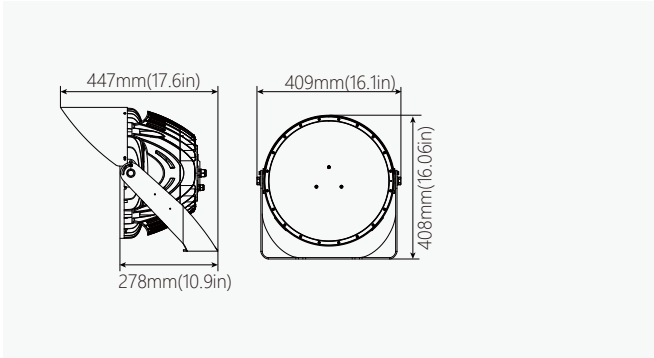




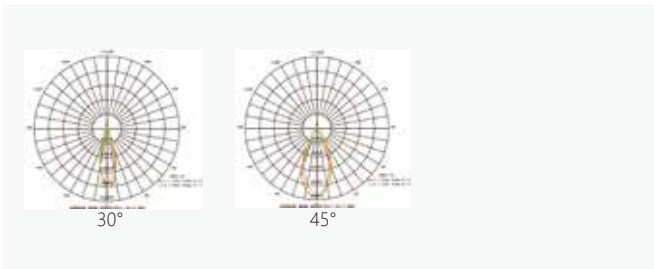
Parameters

Model No.	HD-SP09-300W/400W/500W
Wattage	300W/400W/500W
Light Efficiency	150Lm/W~160Lm/W
Lumen Flux(@5700K)	45,000Lm~80,000Lm(±10%)
CCT	3000K/4000K/5000K/5700K, RGB/RGBW Optional
Beam Angle (±5°)	30°/45°
CRI	70, (80, 90, TLCI>90 Optional)
SDCM	≤5
Input Voltage	AC 100-277V, AC 200-480V
Power Factor	≥0.95
THD	≤15%
Percent flicker(%)	<3%
Surge Protection	10KV
Protection against electric	Class I
IP <i>(Environmental location of luminaries)</i>	IP66/Wet location
IK	IK08
EPA	Front: 1.28ft ² , Side: 0.85ft ²
Operating Temp Ranger	-40 C ~+50 C @ outdoor / -40 F ~+122 F @outdoor
Intelligent control	0-10V Dimming, PWM, Dali, DMX, Synapse
Lifetime	100, 000H(L70B50@25 C) / 100, 000H(L70B50@77 F)
Weight (kg/lbs)	With Driver and Visor: 10.2kg±0.5/22.49lbs±1.1
Dimension(mm/in)	447*409*408mm/17.60*16.10*16.06in
Packing Dimension(mm/in)	490*450*325mm/19.29*17.72*12.80in
Warranty	5 Year, 7 Year Optional
Certificate	UL / DLC / FCC
Specification	LED: Lumileds Driver: Moso, uPowerTeck, Sosen
Material	Structure: Die-casting/High Thermal Conductivity AL Finish: Powder coated Lens: Polycarbonate Color: Gray

Dimension



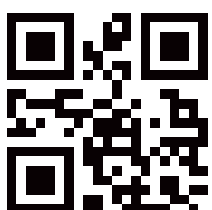
Photometric Diagrams



Applications

Outdoor / Indoor / Industrial

- Sports & recreational fields
- Large-scale outdoor events
- Industrial and construction sites
- Parking lots and garages
- Crane lighting
- Security and outdoor surveillance



Shenzhen Huadian Lighting Co.,Ltd

Web: www.hdled.com

Tel: +86 755-23031787

Address: Jinkaijin Industrial Park, Bao'an, Shenzhen, China

V1.2