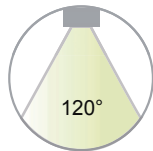
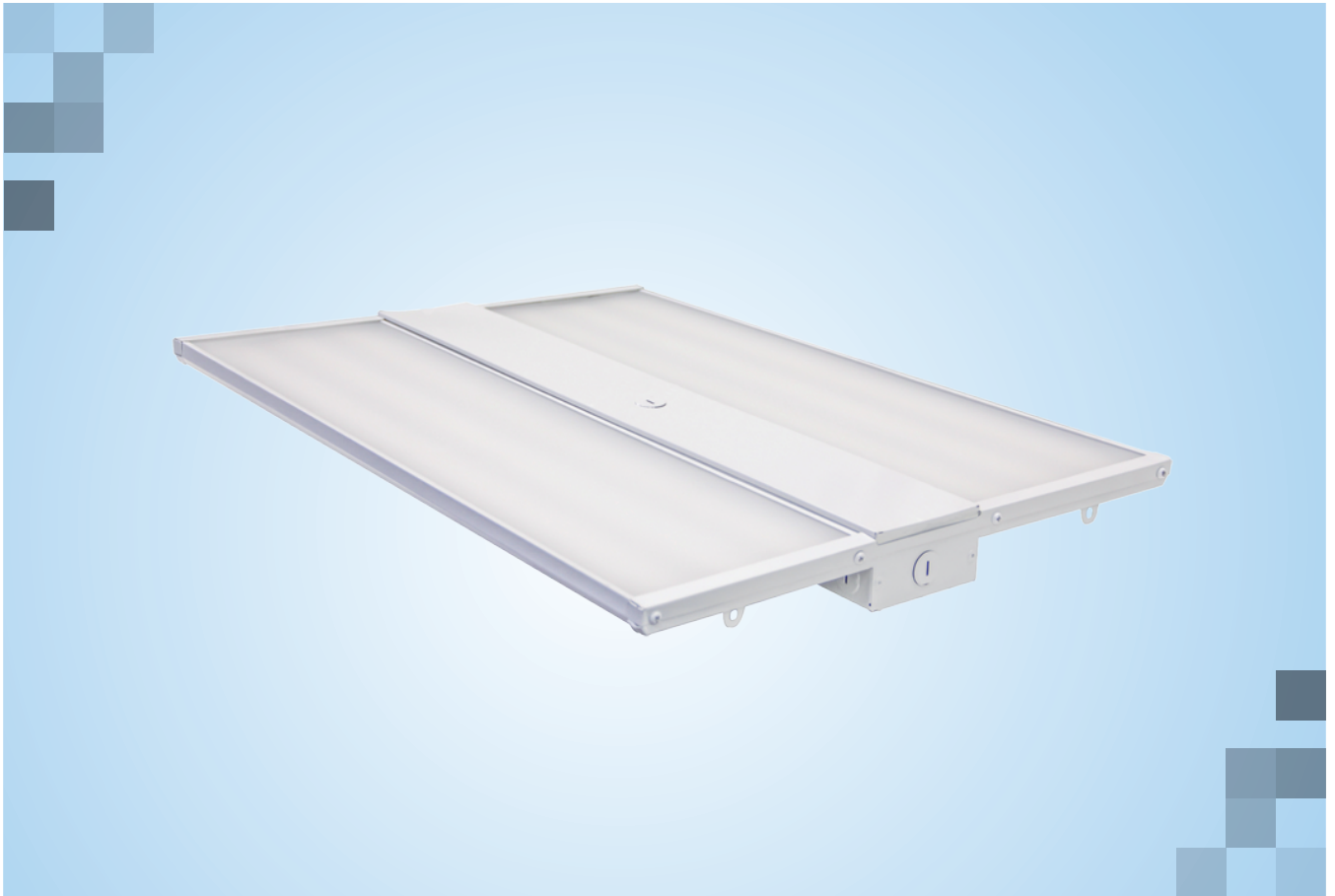




LED Linear High Bay

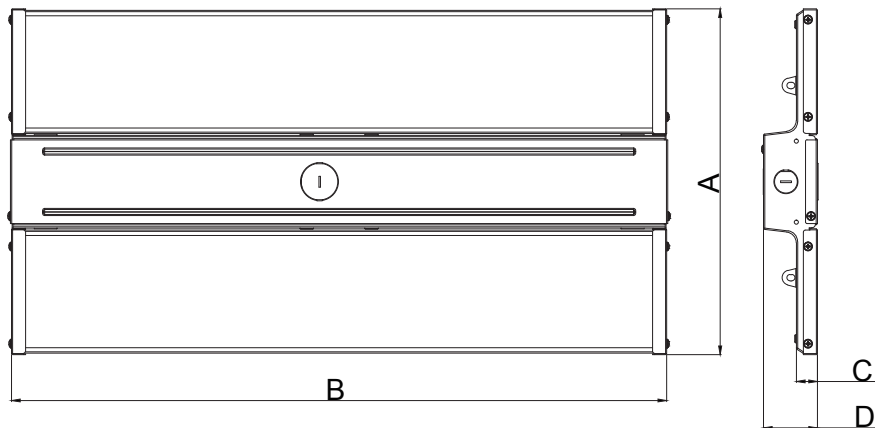




Product Features

1. UL, cUL & FCC listed; With LM79 & LM80;
2. 2ft:110W MAX & 220W MAX available ; 4ft: 225W MAX & 300W MAX available;
3. High luminous efficacy 130lm/w;
4. High quality non-isolated driver; 1-10V dimming; Flicker free;
5. PF > 0.90, driver efficiency > 87%; THD < 20%;
6. Installation: chain mounting;
7. Suitable for dry/damp location;
8. Designed for warehouses, gymnasiums, and industrial spaces;
9. CCT: 4000K & 5000K;
10. Five years warranty.

Product Dimension



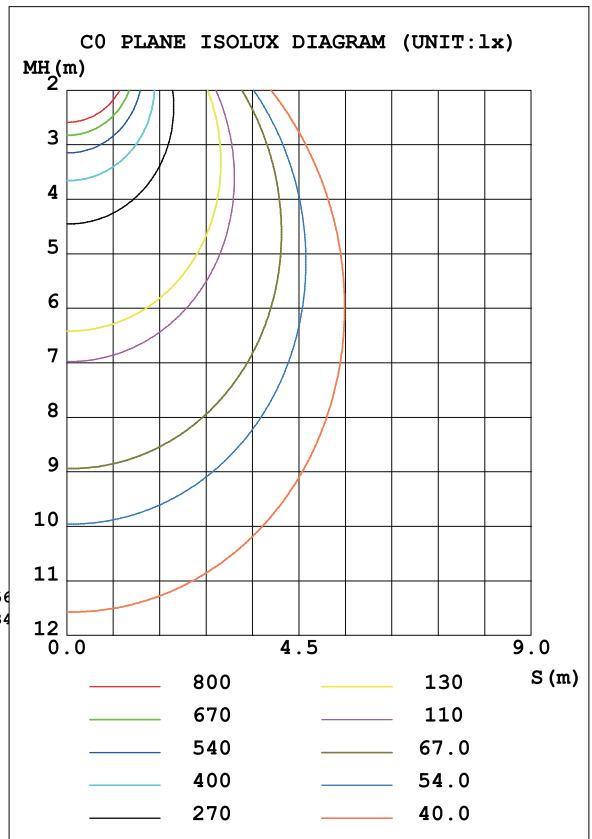
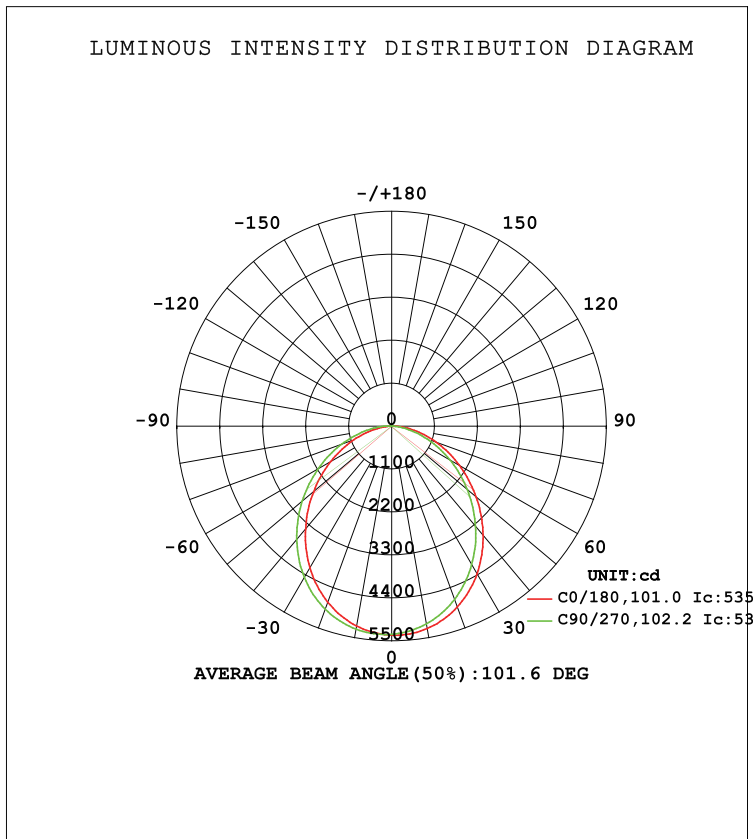
Part No.	A	B	C	D
TS-FHB1-80W	9.60"	23.83"	0.79"	1.97"
TS-FHB1-110W				
TS-FHB2-165W	12.60"	23.83"	0.79"	1.97"
TS-FHB3-220W	17.32"	23.83"	0.79"	1.97"
TS-FHB5-225W	12.60"	45.98"	0.79"	1.97"
TS-FHB5-300W				



Specification

Name	Size	Part No.	Power	Input Voltage	Input Current	LED Strip	PF	Light Efficacy	CCT	Ra
Linear high bay	2FT	TS-FHB1-80W	80W MAX	AC120-277V AC120-347V	0.8A	2	>0.9	130lm/W	4000K 5000K	80
		TS-FHB1-110W	110W MAX		1A	2				
		TS-FHB2-165W	165W MAX		1.6A	4				
		TS-FHB3-220W	220W MAX		2A	6				
	4FT	TS-FHB5-225W	225W MAX	2A	4					
		TS-FHB5-300W	300W MAX	2.8A	6					
	2FT	TS-FHB2-165W-HV-XXK	165W MAX	AC347-480V	0.52A	4	>0.9	130lm/W	XXK represents the CCT: 4000K 5000K	80
		4FT	TS-FHB5-225W-HV-XXK		225W MAX	0.72A				
			TS-FHB5-300W-HV-XXK	300W MAX		0.95A	6			

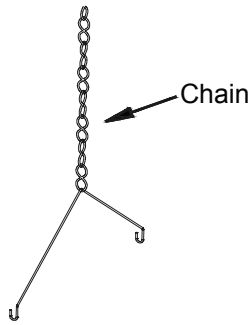
Testing Report



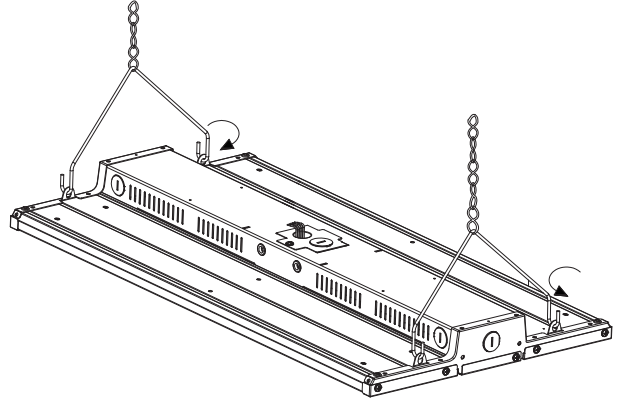


Chain Installation

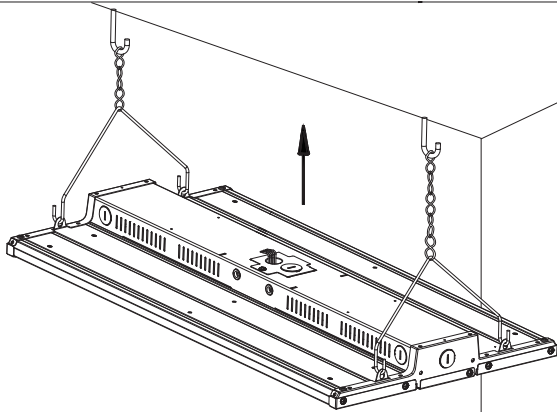
1. Hook the chain as below pic.



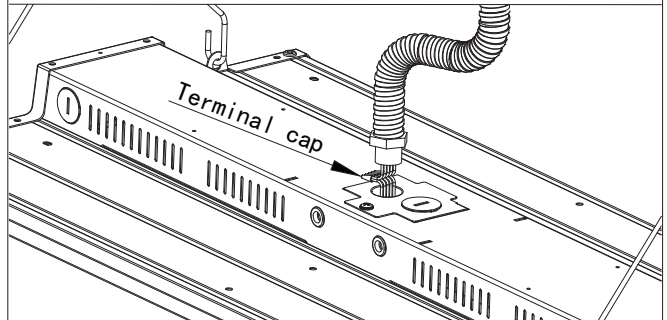
2. Insert the hook into the slotted holes, as shown below.



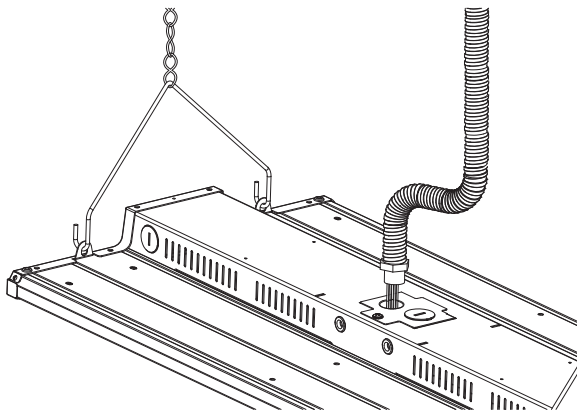
3. Hook up the chain on the ceiling anchor.



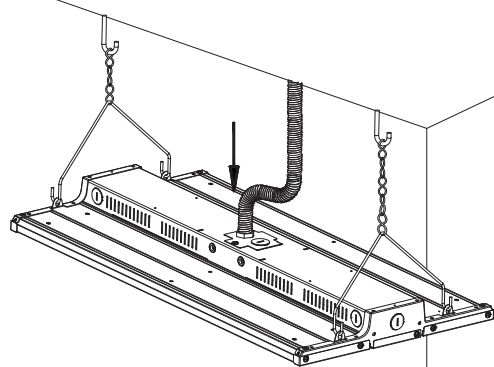
4. Turn off power, and make wiring connections with terminal cap (see wiring instruction below).



5. Insert the terminal cap and wires into the driver box.

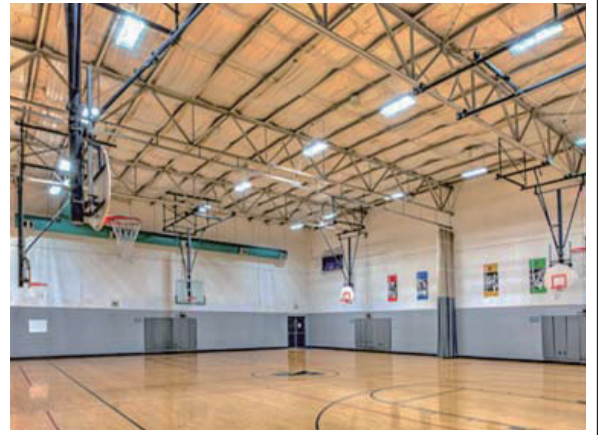


6. Insert the wire terminal joint to the wire entry. Installation completed.





Applications



Packing /weight

Part NO.	Outer Carton Size (L×W×H)	Qty/Carton (pcs)	Net weight (lbs)	Gross weight (lbs)
TS-FHB1-80W	(25.98''*14.2''*12.99'') (660*360*330mm)	4	31.4	36.26
TS-FHB1-110W	(25.98''*14.2''*12.99'') (660*360*330mm)	4	31.4	36.26
TS-FHB2-165W	(25.78''*14.2''*20.47'') (655*360*520mm)	4	33.5	38.36
TS-FHB3-220W	(47.83''*7.36''*15.75'') (1215*187*400mm)	4	45.9	51.44
TS-FHB5-225W	(47.83''*7.36''*20.47'') (1215*187*520mm)	2	30.4	35.93
TS-FHB5-300W	(47.83''*7.36''*20.47'') (1215*187*520mm)	2	32.5	38.03

Note

- 1.The installation and maintenance must be completed by electricians or professionals.
- 2.Please cut off the power before installation and maintenance.
- 3.The thermally insulating material is not allowed to cover the fixture.
- 4.Please keep away from the corrosive substance, and keep the fixture dry and clean.
- 5.Working temperature: -4°F~104°F, storage temperature: -22°F~140°F.