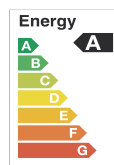
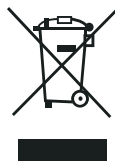
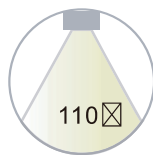


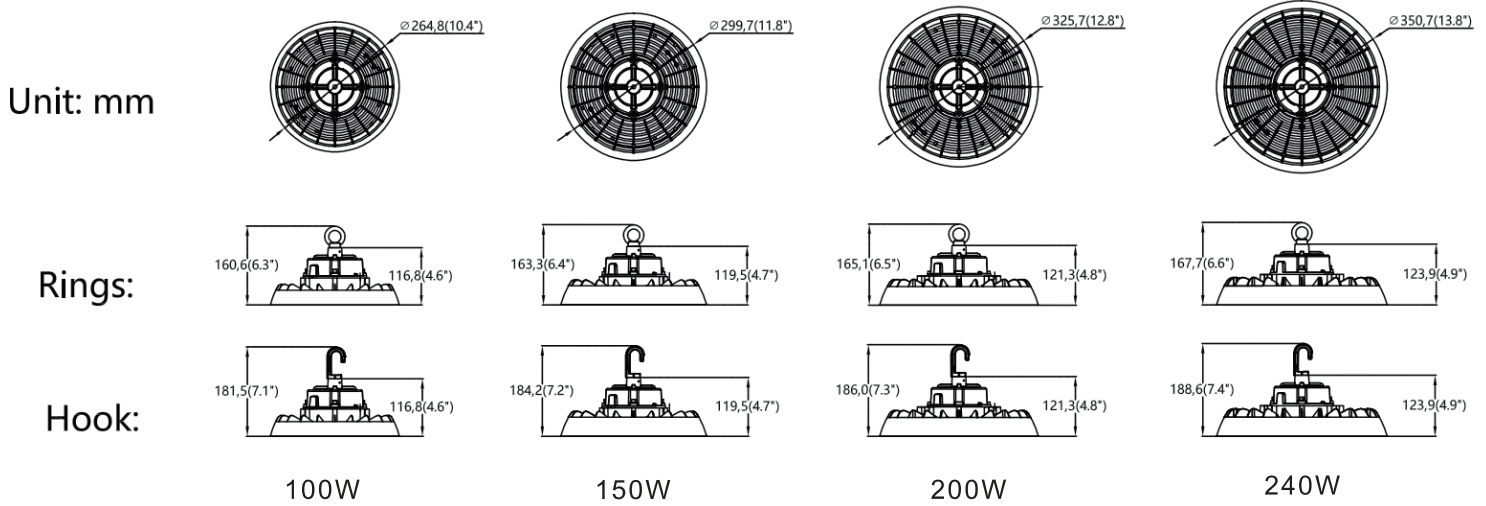
LED UFO HIGH BAY



Features

1. Fins design advective holes and grooves in each fin, good for heat dissipation;
2. The wide input voltage range AC120-277V(0-10V dimming); 2835 LED as light source;
3. Professional light distribution technique, high light reflectivity reflectors, 110° beam angle available; The lens pass rate is over 90%
4. Wattage selectable, reduce SKU

Product Dimension

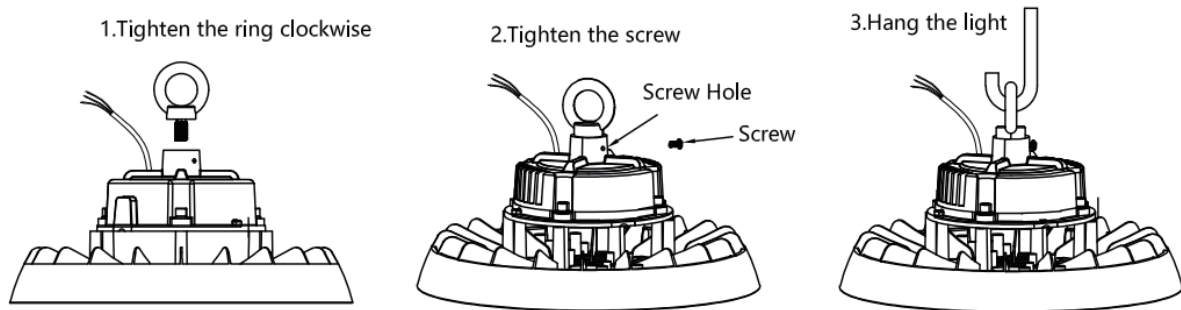


Lighting Parameters

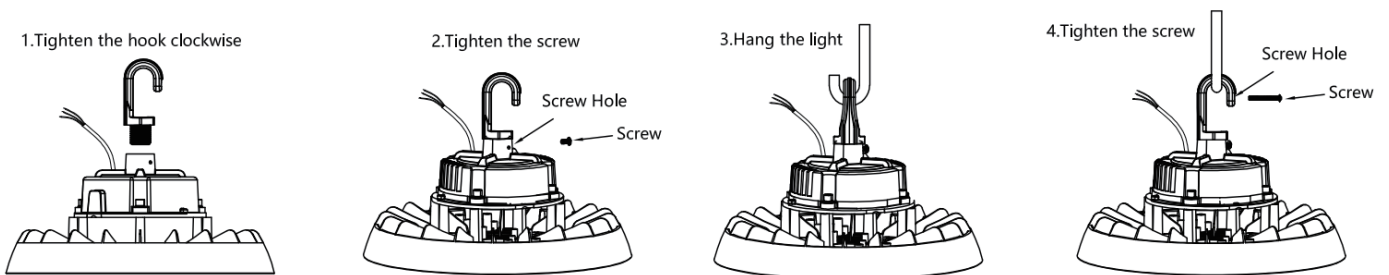
Model Number	Wattage	Working Voltage	CCT	Lamp Bead Model	Beam Angle	Lighting Efficiency	Color Rendering Index	Operating Temperature	Storage Temperature	Environment Location	Life span	Lamp shell
SG-UFO-MW(150/200/240W) 50KD-UV	150-200-240W	AC 120-277V	5000K	2835	110°	150LM/W	Ra>80	-40°F~122°F -40°C~50°C	-40°F~158°F -40°C~70°C	Wet Location	≥50000H	Black

Installation Instruction

1. Rings type:



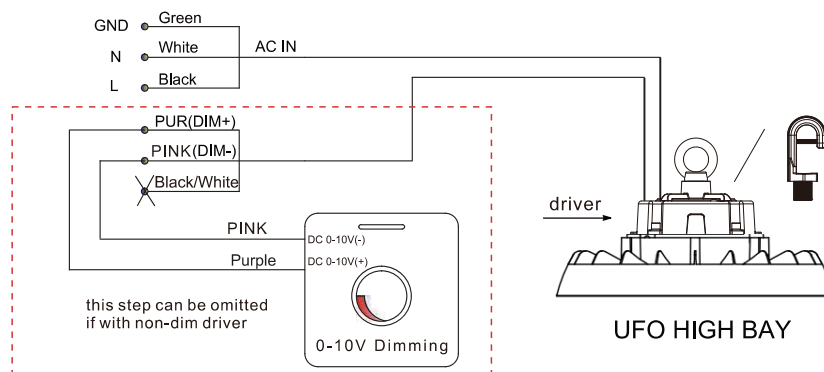
2. Hook type:



Wiring Connection

Turn off the power, connect AC wire. black wire to L, white wire to N, and green wire to E.
Dimmer connection (with dimmable driver.)

1. Compatible with 0-10V dimming.
2. Connect wires as below, purple wire is D+, Pink wire is D-, Black/White wire is 12V



Packing information ■ ■ ■

Power	Outer box (L*W*H)	Oty/Ctn (pcs)	N.W./Ctn (kg/lbs)	G.W./Ctn (kg/lbs)	Remarks
100W	12.01"x12.01"x6.89" (305*305*175mm)	1	1.75/3.56	2.75/6.06	2M AC cable
150W	14.49"x14.49"x6.97" (368*368*177mm)	1	2.10/4.63	3.25/7.17	
200W	15.43"x15.43"x7.09" (392*392*180mm)	1	2.50/5.51	3.72/8.20	
240W	16.46"x16.46"x7.17" (418*418*182mm)	1	2.80/6.17	4.05/8.93	

Applications ■ ■ ■



Industrial application:
Warehouse, Factory etc.



Commercial application:
Exhibition Room, Gas Station,
Supermarket etc.

Note ■ ■ ■

1. Any form of installation/uninstallation or maintenance and electrical work must only be performed by a qualified electrician.
2. All wiring should be done after cutting off the power.
3. The UFO high bay light must be grounded.
4. Always keep the lens/diffuser of UFO high bay light cleaned to maintain good light transmission.
5. Always keep the shell of UFO high bay cleaned to maintain good heat dissipation.
6. Cleaning must only be done with dry or wet cloth and the high bay should not be exposed to corrosive substance.
7. High voltage inside the fixture, please do not disassemble it, Serious electric shock may occur otherwise.